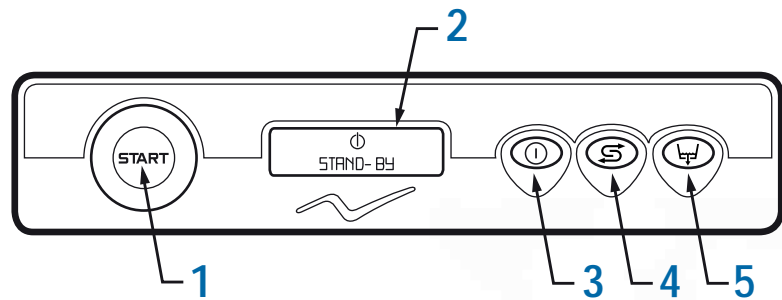


Before using the Optima 500, check the following:

- Is the power supply to the machine switched on?
- Is the overflow pipe and filters in place?
- Is there sufficient detergent and rinse aid?
- Is the water supply valve open?



- (1) START - to start and cycle selection
- (2) Display
- (3) Power ON or STAND-BY
- (4) Regeneration (optional)
- (5) Drain

Starting the machine

1. Check if the pump suction filter is properly inserted in its seat on the wash tank bottom (Fig.1). This filter must be cleaned every 20 wash cycles or whenever necessary. ***Do not use the appliance without the filters.** Put the surface filters in place (Fig.1), shut the dishwasher door, turn the water valve *open* and turn the main power switch *on*.
 Insert the green rinse aid dispenser tube in the rinse aid container and the clear line into the detergent bottle (if fitted).

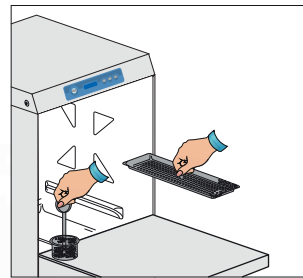


Fig. 1

2. In the display (2) the message STAND-BY will appear. Press the Power on button (3) on the machine and then the START button (1).
3. The START button (1) will light up white for a few seconds while loading the software. After loading is complete the button (1) will light up red. This happens only when the machine is first used in the day.

The filling of the water in the wash-tank is done by pre-heating via the boiler. On the display (2) the messages FILLING WATER and HEATING will alternate. The display will read HEATING until the wash-tank and boiler have reached the set temperatures. During this process the machine will not allow any cycle selection to start. If the machine is in standard configuration with the hot water in-feed (50°C) and with no extra power, the button (1) will light up green after 20 min.

End of Washing

1. Switch the machine off by pressing the (3) button. The display (2) will show STAND-BY.
2. At the end of the day clean the machine, shut the water valve and turn the main power switch to OFF.
3. Daily cleaning is needed to ensure that the machine runs perfectly. The following should be carried out:
 - Turn the machine to STAND-BY mode by pressing the button (3) of the control panel.



Fig. 3

- Remove the surface filters, clean them under running water (Fig.3) and then drain the sump water.
- Remove the pump filter and clean with a brush under running water.

Washing

4. Insert the full rack of dishes for washing, making sure the plates are correctly placed in the rack (Fig.2).

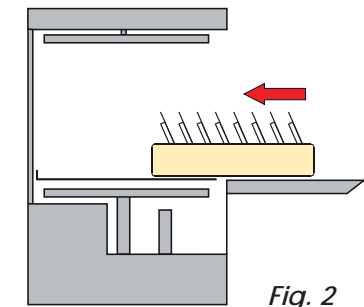


Fig. 2

Select the required cycle by pushing the green START button (1). The display will show in sequence all these available programs. Once the required program is displayed release the button.

During the wash time the display will read the wash tank temperature and the boiler temperature. The temperatures are indicated in the line-bar displayed to show the progression of the wash cycle.

5. The machine automatically injects the detergent through the dispenser.
6. At the end of the wash cycle a hot rinse cycle will take place. The START button (1) will flash blue/green to indicate the CYCLE ENDED.

***At the end of the cycle do not leave the door closed as the dishes will not dry. Take the rack out or keep the door open to allow evaporation, helping the drying of the dishes. When opening the door the button (1) will turn green, indicating that the machine is ready for a new wash cycle.**

***The last cycle used will remain in the memory of the electronic board ready for the next use.**

Routine Maintenance

- Remove the arms by loosening the fixed screws and thoroughly clean them and the nozzles under the running water (Fig.4).

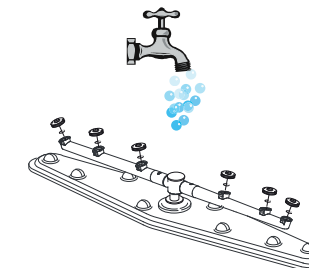


Fig. 4

- Re-assemble the parts and reposition the wash arms firmly in place.
- Clean the tank very carefully using running water.

***It is recommended to leave the machine door open at the end of each day.**

4. The machine's self-cleaning/rinsing cycle is recommended at the end of each day. The machine should be in STAND-BY mode when you push the START button (1). An automatic cycle of 60 seconds will start and will end up back in STAND-BY mode. Shut the water valve and turn off the machine by switching the main power switch to OFF.

THIS MACHINE IS NOT A DUSTBIN. GOOD MAINTENANCE PREVENTS UNNECESSARY BREAKDOWNS. THE CLEANER THE MACHINE IS KEPT, THE BETTER THE FINAL RESULT.