

HT-11ecoT PASS-THROUGH DISHWASHER



TECHNICAL SPECIFICATIONS

Racks/hour (theoretical)	72/45/30/20
Cycle time *1	50/80/120/180 secs
Power supply	415V, 3Ø+N 50Hz
Wash pump	900 W
Booster heater	6000 W
Wash tank heater	2700 W
Total power	7.43kW
Total current	3 x 16.6Amp
Wash tank capacity	30 ltrs
Booster heater capacity	10 ltrs
Water consumption (per cycle)	2.8 ltrs
Min/max water pressure *2	200/600kPa
Min/max water temp *3	50/65°C
Rinsing water temp	85°C
Rack size	500 x 500 mm
Max dish height	410 mm
Weight (empty)	100 kg
Weight (shipping)	116 kg
Dimension (shipping)	84 x 76 x 150 cm
Drain Type	Pump optional
Water connection	3/4" hose
Required hot water supply	120 ltr/hr
Drain hose diameter	Ø24 mm

*1 All Machines fitted with thermostop which may may effect cycle time

*2 Optional booster pump is available if the water pressure is below 200kPa; reducer required if over 600kPa

*3 Minimum incoming water temperature without loss of performance; units can operate with cold water at reduced performance.

Machine must be connected according to local regulations.

STANDARD FEATURES

- Electronic control panel
- Four wash cycles plus a self cleaning cycle
- Hood operated start/stop functions
- Wash/rinse arm with easy to remove and clean nozzles
- Door safety switch
- Deep formed tank
- Full scrap screens
- Built in rinse aid & detergent pump
- Easy access for maintenance
- Fully automatic washing process

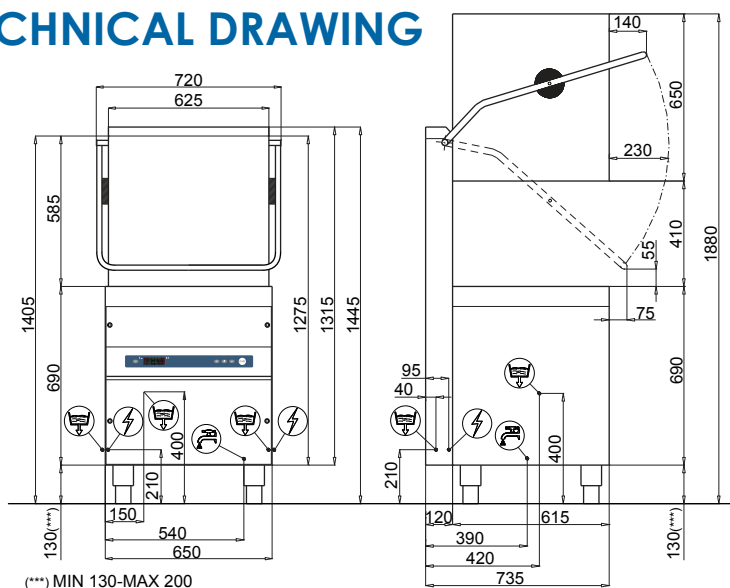
The HT-11ecoT is a popular dishwasher for either straight through or corner operation.

The large rear venting hood has an ergonomic, wrap around handle which makes hood opening easy from all angles.

The HT-11ecoT is fully panelled for safety and hygiene with anti-clogging stainless steel wash and rinse arms.



TECHNICAL DRAWING



All details subject to change without notice



Call Rhima Australia
today on **1300 347 944**

